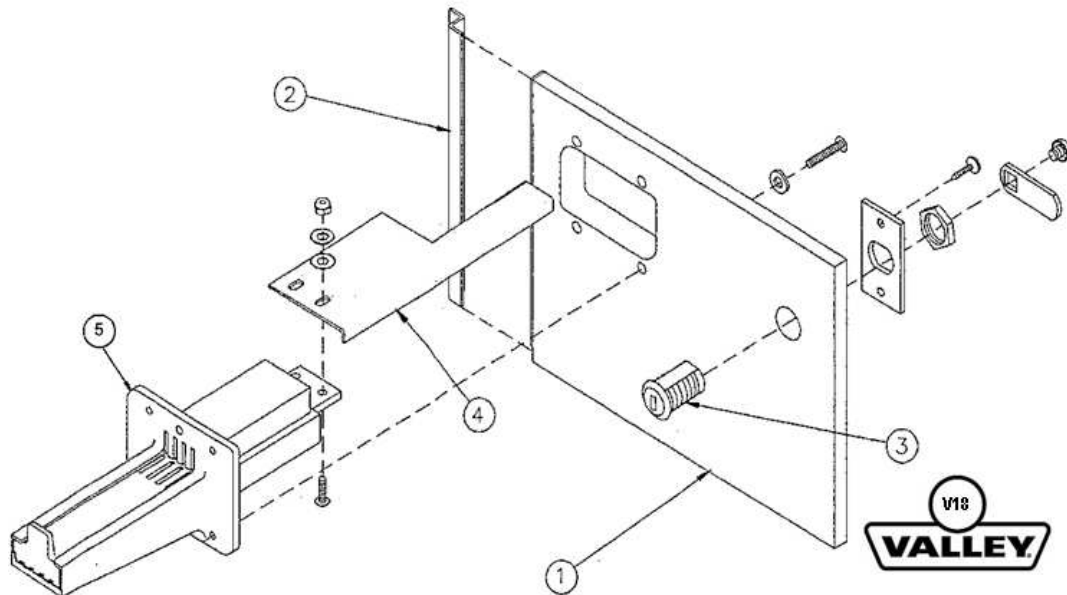


The "Model #32 and before" coin door Can you help?



COIN DOORS FOR MODEL 32 AND OLDER
ARE NO LONGER MANUFACTURED.

... or maybe not!!

We stopped making this coin door a number of years ago. We thought about starting up again but, doggone it we can't find the drawings for them.

The first customer to send an accurate, scanned copy of the 9 3/4" x 7" door or the 8 7/8" x 7" door (either should easily fit on a flatbed scanner) will receive a Valley Cougar Magnetic Cue ball by Aramith. Not bad for that effort.

The winner is the first to send a scan of

△ The door flat against the scanner, preferably with a ruler next to it

△ The bottom of the door, set it down where you see the ❶ in the drawing

Send as a .jpg or .pdf attachment to parts@valley-dynamo.com with COIN DOOR SCAN CONTEST in the subject line.



THANKS